



Click object to rotate

Ka



Twin Ka Circular Dual polarity LNB23mm

IDLW-TWNLRA20-D2120-OPP

Item: 3902

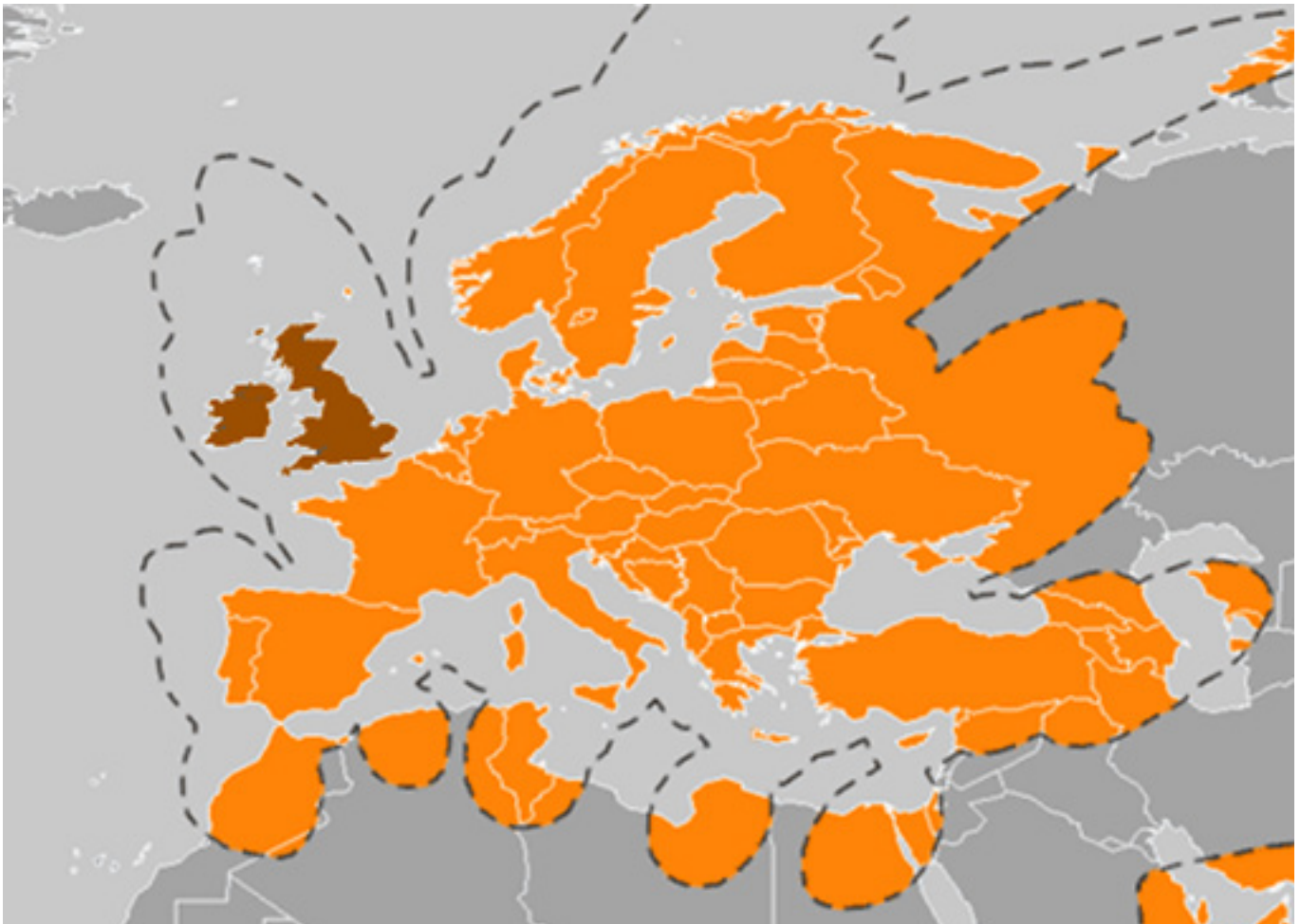
This pioneering WHITE Ka LNB line was designed to enable reception of the new high bandwidth satellite TV, radio and data services in Ka band that are being launched across Europe. This Twin Ka Circular dual polarity LNB was specifically engineered to meet the reception requirements of Eutelsat for its KA-SAT satellite located on 9° East (e.g. Saorsat – Reception of free Irish TV by Satellite). The LNB features two IF outputs and supports connection to two different satellite receivers. The LNB was designed to be used with standard offset antennas of 60-90cm diameter and F/D or 0.6. The feed of this Twin LNB is designed to fit as close as 4 degrees to allow reception from another satellite over the same dish in Europe (for example - universal Ku LNB receiving the popular Hotbird 13° East). The external diameter of the feed is about 23mm and it is supplied with 40mm ring adapter to ensure compatibility with standard dish antennas. This LNB is using the highest quality components to ensure outstanding and consistent performance and durability and is manufactured under rigorous test conditions and strict quality standards.

Main Features:

- Pioneering LNBF for reception of satellite services over Ka band
- High Frequency and Gain stability
- Low Phase Noise
- Low Noise Figure
- Low power consumption
- High Cross-Pole performance



KA-SAT downlink coverage



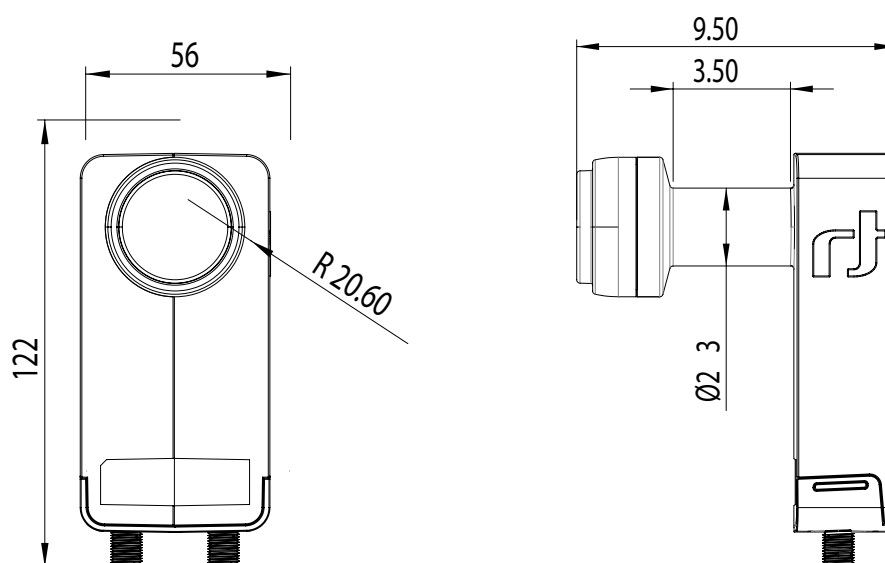
KA-SAT is the first High Throughput Satellite (HTS) in Europe and marks a new generation of multi-spotbeam high-capacity satellites. It is positioned at 9° East and covers Europe and the Mediterranean basin and has 82 tight Ka-band spot beams across Europe.
Source: Eutelsat

To learn more on Eutelsat KA-SAT satellite – visit: http://www.eutelsat.com/satellites/9e_ka-sat.html

The LNB is suitable for the reception of Saorsat - Reception of Free Irish TV and Radio by Satellite. The Saorsat service is available via Ka-Sat @ 9E, using Ka-Band (Left Circular Polarised for Ka-Band on 20.185GHz).
To learn more on Saorsat service – visit <http://www.saortv.info/satellite-saorsat/>

Technical data

Input Frequency Range	19.7 ~ 20.2 GHz
Output Frequency Range	1500 ~ 1000 MHz (spectrum inversion)
Low Band LO Frequency	21.20 GHz
Polarization	Dual circular for Ka band (RHCP/LHCP)
Noise Figure	1.3 dB Typ.
LO Initial Accuracy @25°C	+/- 1.0 MHz Max.
LO Temperature Drift (30°C-60°C)	+/- 3.0 MHz Max.
Phase Noise (@ 10 kHz)	- 75 dBc/Hz Max.
Phase Noise (@ 100 kHz)	- 95 dBc/Hz Max.
Conversion Gain	50 - 60dB
Gain Ripple (Over 26MHz Bandwidth)	+/- 0.75 dB
Gain Variation (Over Full Band)	5 dB Max.
Image Rejection	40 dB Min.
1 dB Compression Point (@ Output)	0.0 dBm Min.
Cross Polarization Isolation	22 dB Min.
LHCP polarization	13V
RHCP polarization	18V
Output VSWR	2.5 : 1
In-Band Spurious	- 60 dBm Max.
Current Consumption	120 mA Max. @ 11 ~ 20 V
Operating Temperature	- 30 °C ~ + 60 °C
Output Impedance	75 Ω
Output Connector	2 x F-Type (Female)
Weight	181 g



For purpose of brevity, some product descriptions in this sheet remain at platform level and may not be referred to as detailed datasheets of the products. Inverto Digital Labs reserves the right to amend, omit or add products, product-lines, and / or features without notice.

For further details contact: sales@inverto.tv

FTA Communication Technologies S.a.r.l Tel. +352 264 367 1 Fax. +352 264 313 68



Chart Area

CMB Rx Bandpass

