

---

**7232 End Window-Alpha-Beta-Gamma Detector**

---

***GENERAL SPECIFICATIONS***

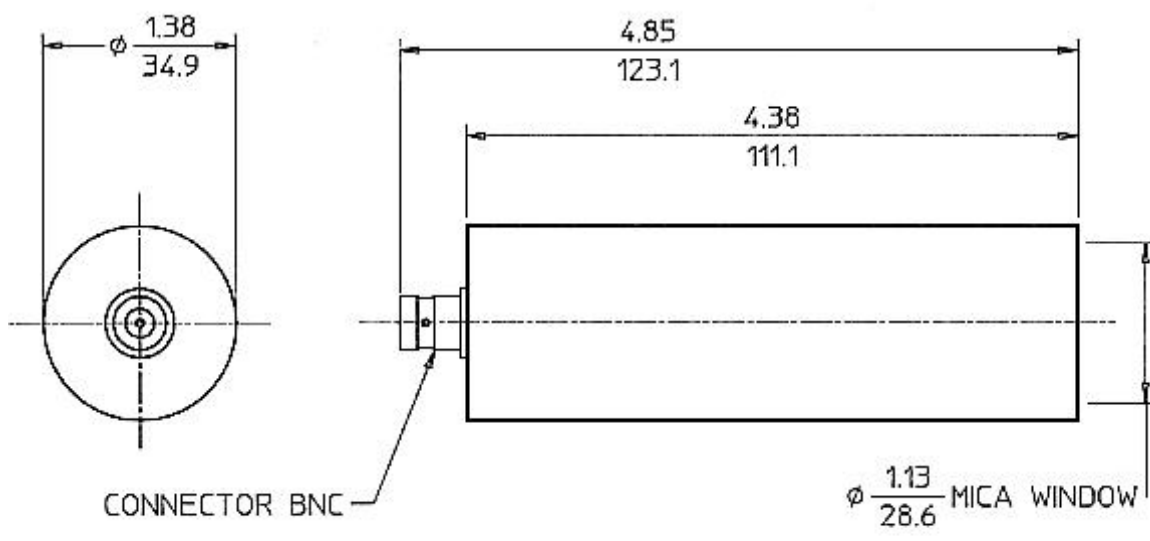
Gas filling	Ne +Halogen
Cathode material	446 Stainless Steel
Maximum length (inch/mm)	4.85/123.1
Effective length (inch/mm)	2.6/66.04
Maximum diameter (inch/mm)	1.38/34.9
Effective diameter (inch/mm)	1.13/28.6
Connector	BNC
Operating temperature range °C	-55 to +75

***WINDOW SPECIFICATIONS***

Areal density (mg/cm <sup>2</sup> )	2.0
Effective diameter (inch/mm)	1.13/28.6
Material	Mica

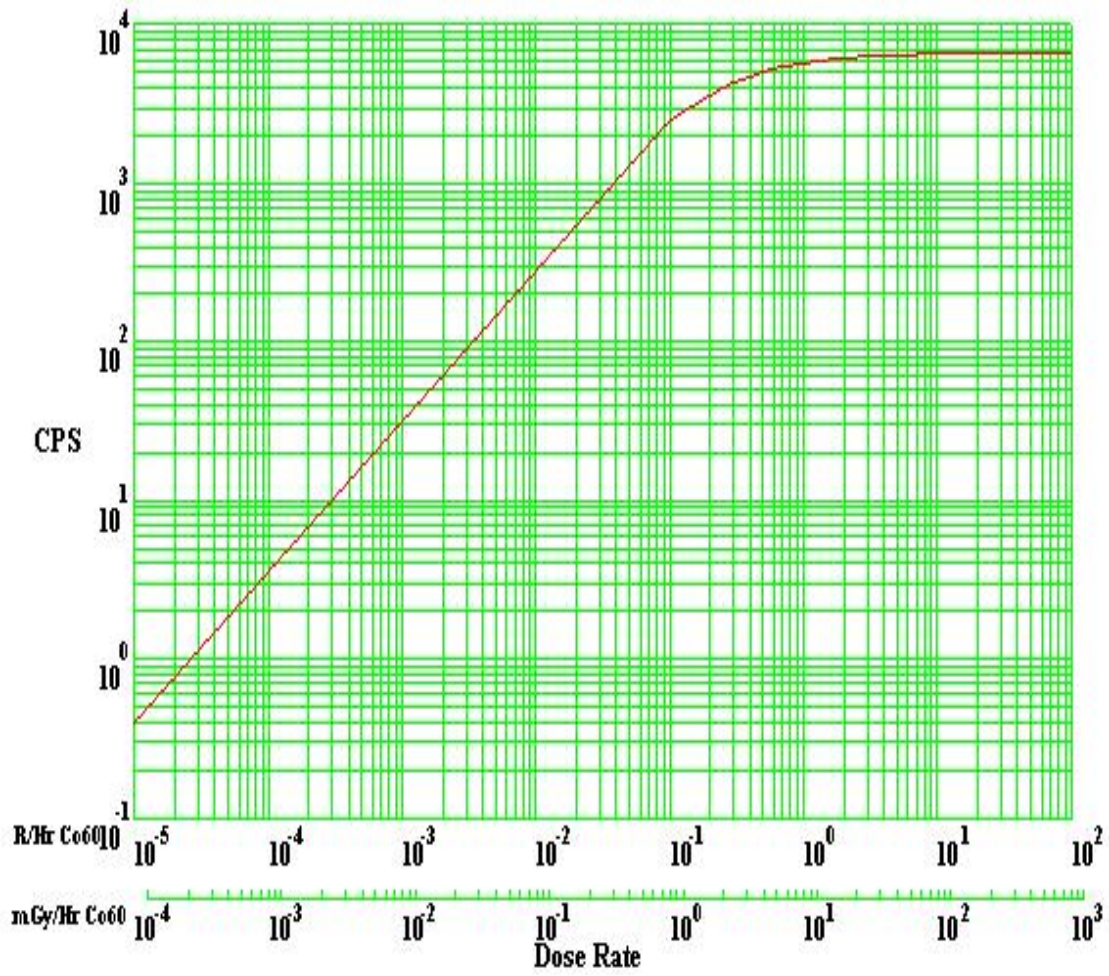
***ELECTRICAL SPECIFICATIONS***

Recommended anode resistor (meg ohm)	1
Maximum starting voltage (volts)	800
Recommended operating voltage (volts)	900
Operating voltage range (volts)	850-1000
Maximum plateau slope (%/100 volts)	10
Minimum dead time (micro sec)	150
Gamma sensitivity Co60 (cps/mr/hr)	40
Tube capacitance (pf)	3
Weight (grams)	155
Maximum background shielded 50mm Pb + 3mm Al (cpm)	50

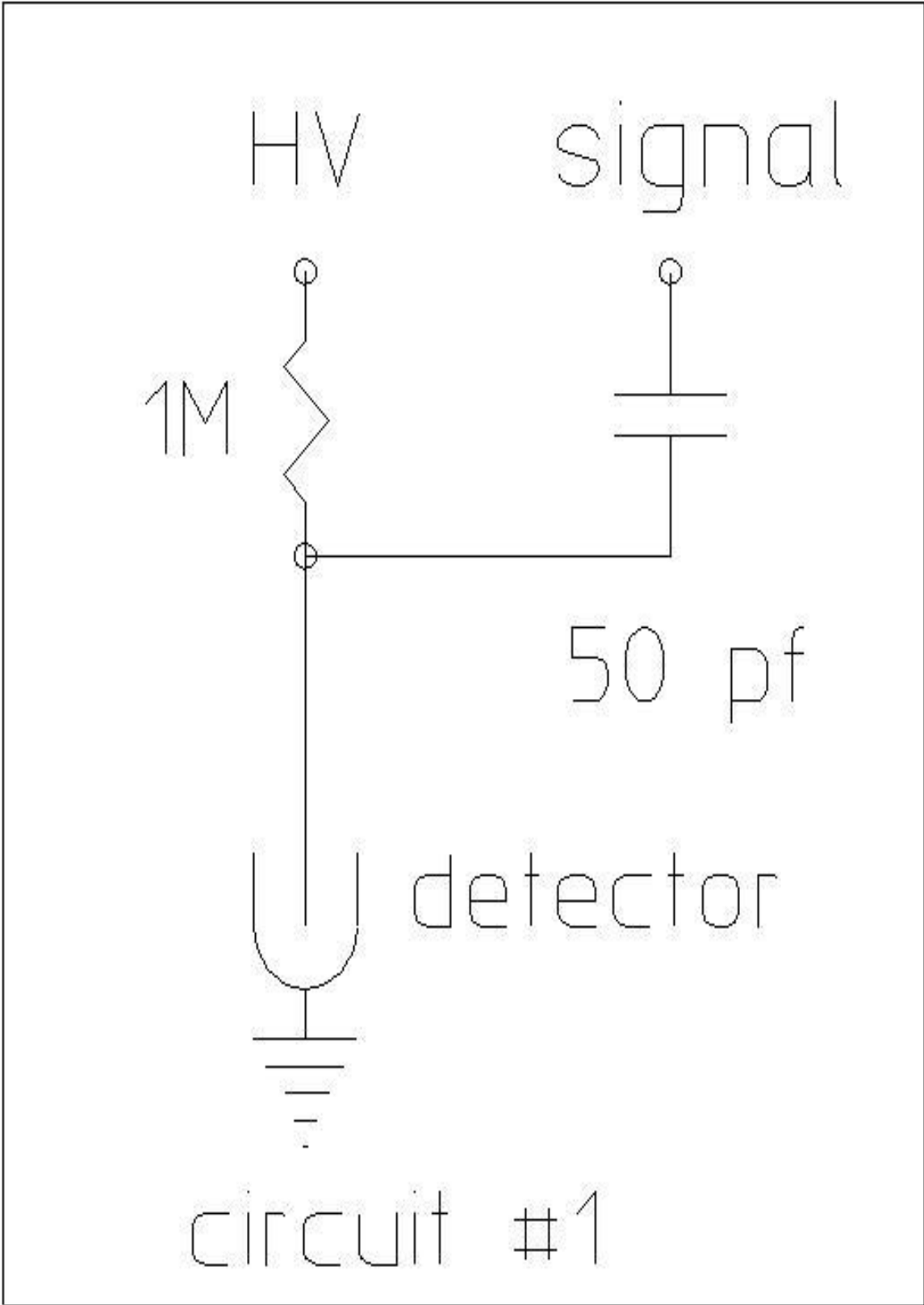


GAMMA SENSITIVITY

TUBE TYPE - 7232







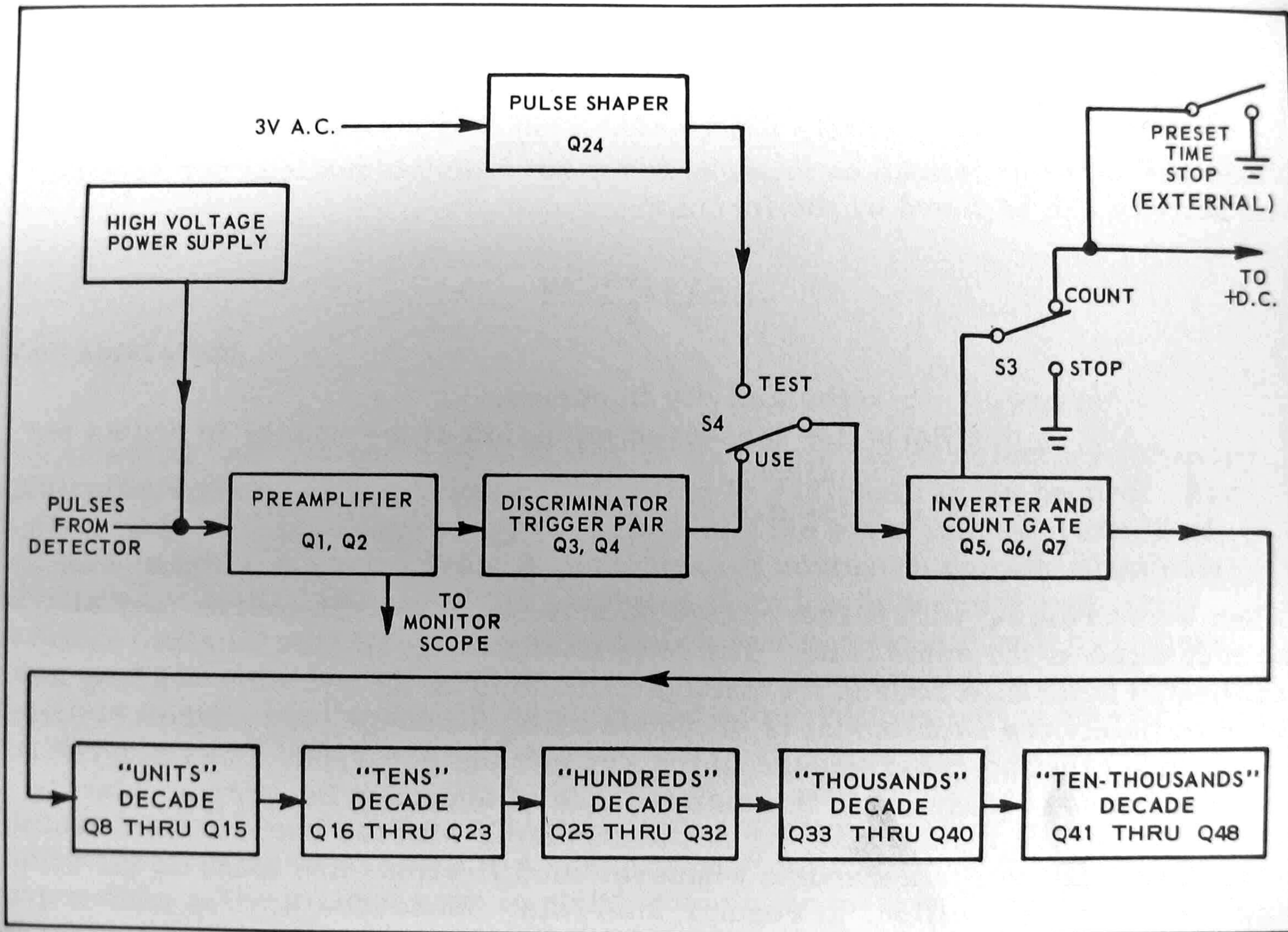


FIGURE 5. OVERALL BLOCK DIAGRAM



